



Australian Government

IP Australia

LETTERS PATENT

# STANDARD PATENT

2009222583

I, Robyn Foster, the Commissioner of Patents, grant a Standard Patent with the following particulars:

**Name and Address of Patentee(s):**

Andreas Ryser  
Postgasse 12, 9320, Arbon, Switzerland

**Name of Actual Inventor(s):**

Ryser, Andreas.

**Title of Invention:**

Apparatus and Method for Rotating A Fire, A Flame, A Smoke Plume or for Circulating Heat

**Term of Letters Patent:**

Twenty years from 2 October 2009

**Priority Details :**

**Number**

61/104,276

1564/08

**Date**

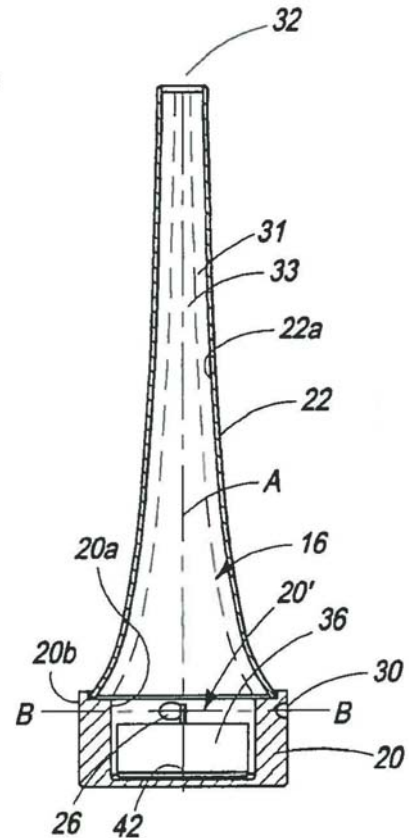
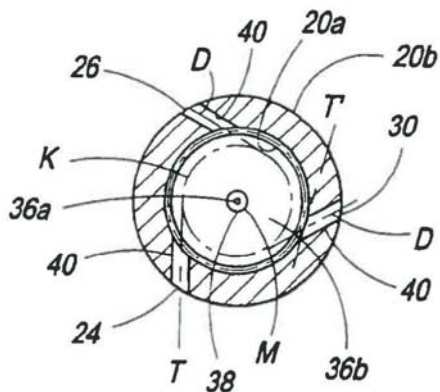
10 October 2008

2 October 2008

**Filed with**

US

CH



Dated this 25<sup>th</sup> day of October 2012

*R E Foster*

Robyn Foster  
Commissioner of Patents